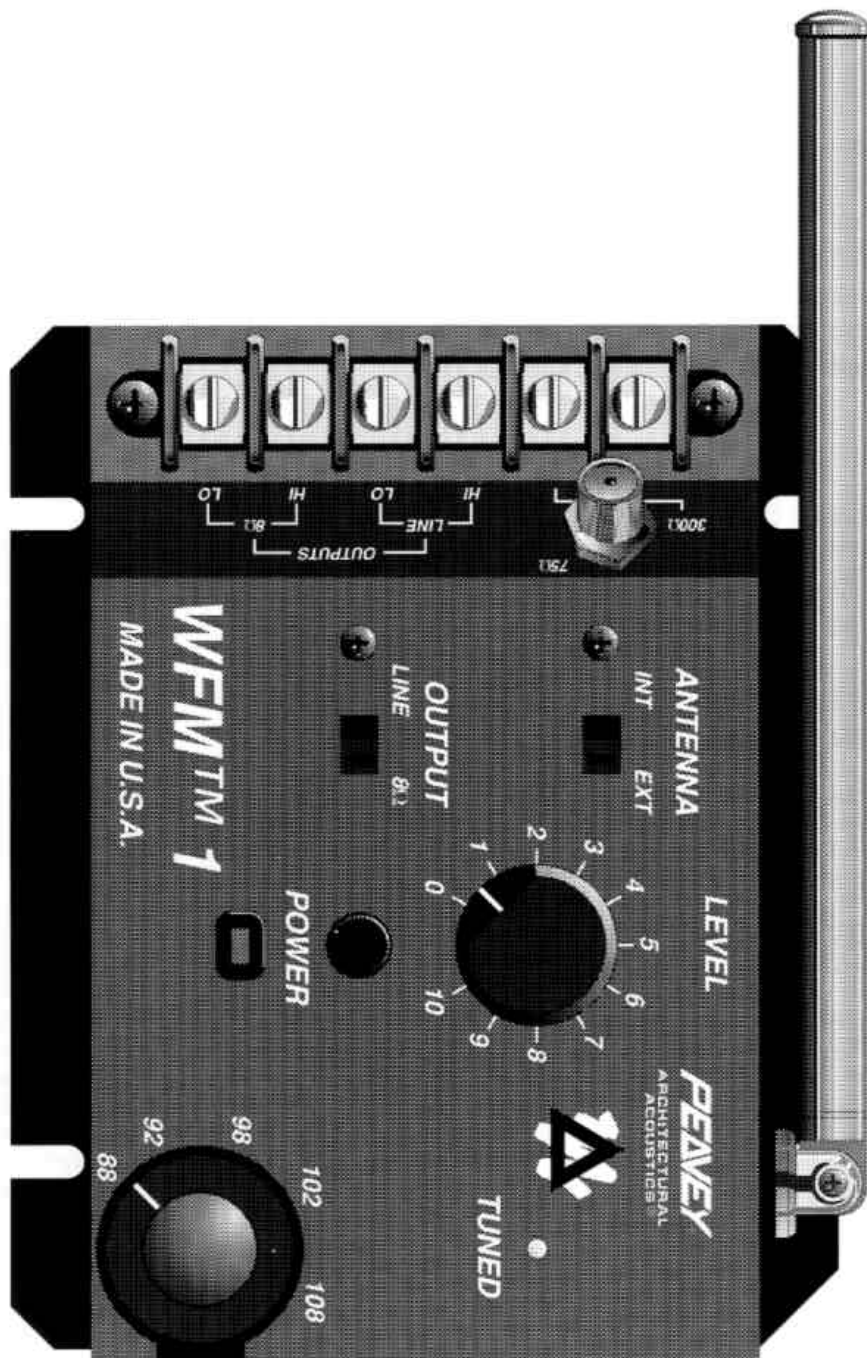


WFM™ 1

PEAVEY®
ARCHITECTURAL ACOUSTICS®

Operators Guide





Intended to alert the user to the presence of uninsulated "dangerous voltage" within the product's enclosure that may be of sufficient magnitude to constitute a risk of electric shock to persons.



Intended to alert the user to the presence of important operating and maintenance (servicing) instructions in the literature accompanying the product.

CAUTION: Risks of electrical shock — DO NOT OPEN

CAUTION: To reduce the risk of electric shock, do not remove cover. No user serviceable parts inside. Refer Servicing to qualified service personnel.

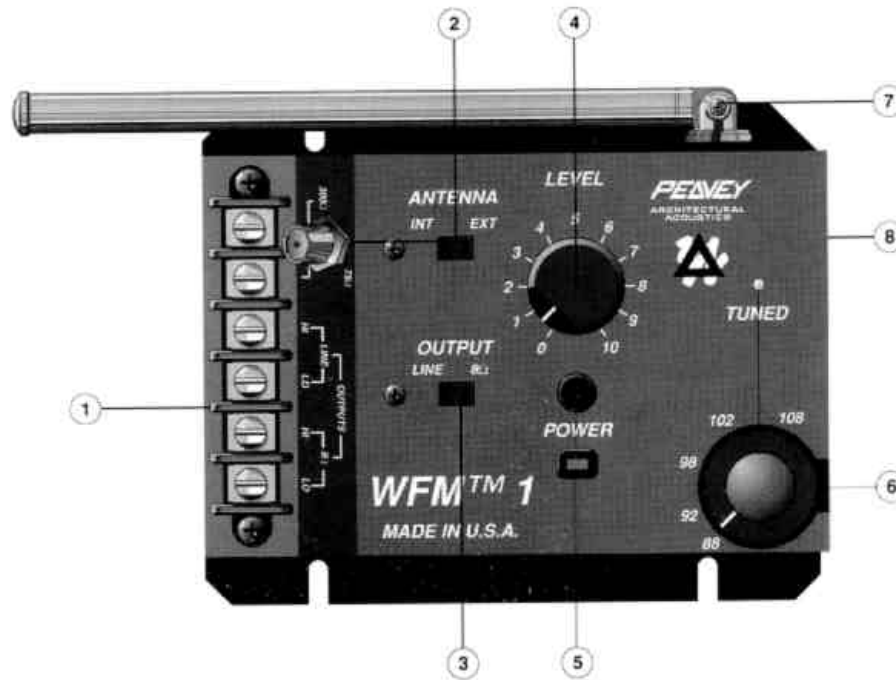
Introduction:

Congratulations and thank you for purchasing the WFM™ 1 FM tuner. The WFM 1 is a cost effective approach for FM background/foreground music systems everywhere. This small, ready-mount unit delivers high performance reception via its fold down, telescoping rod antenna, or you may opt for an external antenna. Termination is provided for 75 ohm or 300 ohm external antenna systems. Operate direct to the speaker system via the on-board 3.5 watt amplifier (at 8 ohms) or select the line output and connect to higher power when needed. Either mode you select, the WFM 1 delivers solid, long-term, reliable performance in virtually any installation.

Features:

- FM broadcast band 88 - 108 MHz
- Accepts 75 ohm and 300 ohm antennas
- Built-in telescoping rod antenna
- Select line output or speaker output
- Level control
- 3.5 watt output into 8 ohms
- Built-in wall mount bracket

WFM 1 Controls Descriptions:



1. 6-position Terminal Strip

This is used to connect to the output source, either speakers or an external amplifier. The terminal strip also allows you to connect an external antenna. 300Ω and 75Ω connections are provided.

2. Antenna Switch

This switch has two positions, *EXT* and *INT*. If you intend to use an external antenna, make sure the switch is in the *EXT* position. For use with the internal antenna, put the switch in the *INT* position.

3. Output Switch

This switch has two positions, 8Ω and *Line*. For direct connection of the WFM 1 to speakers, put the switch in the 8Ω position. For use with an external power amplifier, put the switch in the *Line* position.

4. Level Knob

The *LEVEL* knob is used to control the listening volume of the WFM 1.

5. Power Button and LED

When the WFM 1 is on (button in the "in" position), the LED will glow red.

6. Tuning Knob and LED

This knob is used to select FM radio signals. When a signal is tuned properly, the LED will glow.

7. Antenna

This is the internal antenna the WFM 1 uses to receive radio signals. It telescopes to a length of 35".

8. Power Supply Plug

Use only a 16 - 16.5 volt AC 1000 mA adaptor. (Peavey part #70900660.)

How To Use the WFM 1:

1. Mount the WFM 1 to the wall using four screws.
2. Plug in the power supply adaptor. (Peavey part #70900660.)
3. Tune to the desired frequency (radio station) by adjusting the *antenna* and *tuning knob*.
4. Set the *Level* to the desired listening volume.

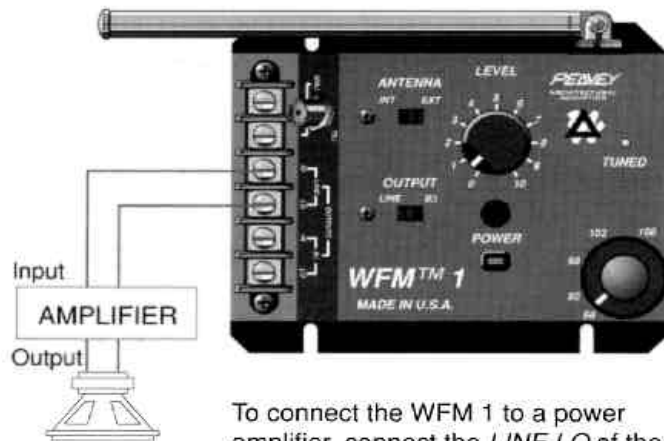
Connection Diagrams:

1. Connecting the WFM 1 directly to speakers. (8Ω)



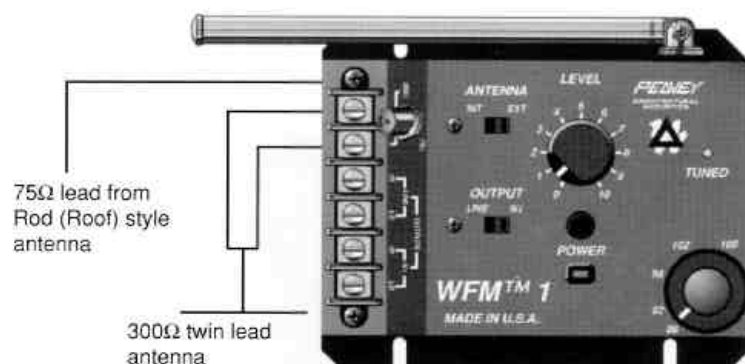
To connect the WFM 1 to a speaker, connect the LO terminal on the WFM 1 to ground (-) on the speaker and connect the HI terminal on the WFM 1 to 'live' (+) on the speaker.

2. Connecting the WFM 1 to a power amplifier. (Line)



To connect the WFM 1 to a power amplifier, connect the *LINE LO* of the WFM 1 to the ground (-) of the amplifier, connect the *LINE HI* of the WFM 1 to the positive (+) on the amplifier. (Connect the speakers to the amplifier as described in the instructions for the amplifier.)

3. Using an external antenna. (300Ω or 75Ω)



Regardless of the output method chosen, the WFM 1 allows you to connect an external antenna for use with the tuner. To connect a 300Ω antenna, attach the wires to the two screws marked 300Ω. To connect a 75 Ω antenna connect the coaxial cable from the antenna to the 75Ω antenna input provided on the WFM 1.

Specifications:

Audio Section:

Output Power

3.5 watts RMS into 8 ohms

Frequency Response

50 Hz to 20 kHz +/-1 dB

Total Harmonic Distortion

3% THD @ 3.5 W

.5% THD @ 3.0 W

Output Level

+18 dBm across 600Ω

Hum and Noise

80 dB below rated power

Output Impedance

8 ohms, 600 ohms

Power Consumption

7.5 W, 16 V AC

(Wall Mount Transformer)

Dimensions

5 ⁵/₈" wide, 2 ¹/₈" high, 3 ⁵/₈" deep

Radio Section:

FM Broadcast Band

88 - 108 MHz

Sensitivity

1.5 uV for -3 dB limiting

Signal Handling

200 mV

Signal to Noise Ratio

60 dB

Total Harmonic Distortion

.7% at +/-22.5 kHz deviation

AM Suppression

50 dB

Selectivity

S +/-300 Hz = 35 dB

DANGER
 EXPOSURE TO EXTREMELY HIGH NOISE LEVELS MAY CAUSE A PERMANENT HEARING LOSS. INDIVIDUALS VARY CONSIDERABLY IN SUSCEPTIBILITY TO NOISE INDUCED HEARING LOSS, BUT NEARLY EVERYONE WILL LOSE SOME HEARING IF EXPOSED TO SUFFICIENTLY INTENSE NOISE FOR A SUFFICIENT TIME. THE U.S. GOVERNMENT'S OCCUPATIONAL SAFETY AND HEALTH ADMINISTRATION (OSHA) HAS SPECIFIED THE FOLLOWING PERMISSIBLE NOISE LEVEL EXPOSURES:

DURATION PER DAY IN HOURS	SOUND LEVEL dBA, SLOW RESPONSE
5	90
4	90
3	95
2	97
1½	100
1	105
¾	110
½	115

ACCORDING TO OSHA, ANY EXPOSURE IN EXCESS OF THE ABOVE PERMISSIBLE LIMITS COULD RESULT IN SOME HEARING LOSS. EAR PLUGS OR PROTECTORS IN THE EAR CANALS OR OVER THE EARS MUST BE WORN WHEN OPERATING THIS AMPLIFICATION SYSTEM IN ORDER TO PREVENT A PERMANENT HEARING LOSS IF EXPOSURE IS IN EXCESS OF THE LIMITS AS SET FORTH ABOVE TO INSURE AGAINST POTENTIALLY DANGEROUS EXPOSURE TO HIGH SOUND PRESSURE LEVELS. IT IS RECOMMENDED THAT ALL PERSONS EXPOSED TO EQUIPMENT CAPABLE OF PRODUCING HIGH SOUND PRESSURE LEVELS SUCH AS THIS AMPLIFICATION SYSTEM BE PROTECTED BY HEARING PROTECTORS WHILE THIS UNIT IS IN OPERATION.

CAUTION
 THIS AMPLIFIER HAS BEEN DESIGNED AND CONSTRUCTED TO PROVIDE ADEQUATE POWER RESERVE FOR PLAYING MODERN MUSIC WHICH MAY REQUIRE OCCASIONAL PEAK POWER. TO HANDLE OCCASIONAL PEAK POWER, ADEQUATE POWER "HEADROOM" HAS BEEN DESIGNED INTO THIS SYSTEM. EXTENDED OPERATION AT ABSOLUTE MAXIMUM POWER LEVELS IS NOT RECOMMENDED SINCE THIS COULD DAMAGE THE ASSOCIATED LOUDSPEAKER SYSTEM. PLEASE BE AWARE THAT MAXIMUM POWER CAN BE OBTAINED WITH VERY LOW SETTINGS OF THE GAIN CONTROLS IF THE INPUT SIGNAL IS VERY STRONG.

- Read all safety and operating instructions before using this product.
- All safety and operating instructions should be retained for future reference.
- Obey all cautions in the operating instructions and on the back of the unit.
- All operating instructions should be followed.
- This product should not be used near water, i.e. a bathtub, sink, swimming pool, wet basement, etc.
- This product should be located so that its position does not interfere with its proper ventilation. It should not be placed flat against a wall or placed in a built-in enclosure that will impede the flow of cooling air.
- This product should not be placed near a source of heat such as a stove, radiator or another heat producing amplifier.
- Connect only to a power supply of the type marked on the label adjacent to the power supply cord.
- Never break off the ground pin on the power supply cord. For more information on grounding write for our free booklet "Shock Hazard and Grounding."
- Power supply cords should always be handled carefully. Never walk or place equipment on power supply cords. Periodically check cords for cuts or signs of stress, especially at the plug and the point where the cord exits the unit.
- The power supply cord should be unplugged when the unit is to be unused for long periods of time.
- If this product is to be mounted in an equipment rack, rear support should be provided.
- Metal parts can be cleaned with a damp rag. The vinyl covering used on some units can be cleaned with a damp rag or an ammonia based household cleaner if necessary.
- Care should be taken so that objects do not fall and liquids are not spilled into the unit through the ventilation holes or any other openings.
- This unit should be checked by a qualified service technician if:
 - The power supply cord or plug has been damaged.
 - Anything has fallen or been spilled into the unit.
 - The unit does not operate correctly.
 - The unit has been dropped or the enclosure damaged.
- The user should not attempt to service this equipment. All service work should be done by a qualified service technician.

LIMITED WARRANTY

Peavey Electronics Corporation warrants to the original purchaser of this new Architectural Acoustics® product that it is free from defects in material and workmanship. If within one (1) year from date of purchase a properly installed product proves to be defective and Peavey is notified, Peavey will repair or replace it at no charge. (Note: Batteries and patch cords not covered.) "Original purchaser" means the customer for whom the product is originally installed.

Damage resulting from improper installation, interconnection of a unit or system of another manufacturer, accident or unreasonable use, neglect or any other cause not arising from defects in material and workmanship is not covered by this warranty. The warranty is valid only as to products purchased and installed in the United States.

THIS LIMITED WARRANTY IS IN LIEU OF ANY AND ALL WARRANTIES, EXPRESSED OR IMPLIED, INCLUDING THE IMPLIED WARRANTIES OF MERCHANTABILITY AND FITNESS FOR A PARTICULAR USE. UNDER NO CIRCUMSTANCES WILL PEAVEY BE LIABLE FOR ANY LOST PROFITS, LOST SAVINGS, INCIDENTAL DAMAGES OR CONSEQUENTIAL DAMAGES ARISING OUT OF THE USE OR INABILITY TO USE THE PRODUCT, EVEN IF PEAVEY HAS BEEN ADVISED OF THE POSSIBILITY OF SUCH DAMAGE. THIS LIMITED WARRANTY IS THE ONLY EXPRESSED WARRANTY ON THIS PRODUCT, AND NO OTHER STATEMENT, REPRESENTATION, WARRANTY, OR AGREEMENT BY ANY PERSON SHALL BE VALID OR BINDING UPON PEAVEY.

Peavey's liability to the original purchaser for damages for any cause whatsoever and regardless of the form of action, is limited to the actual damages up to the greater of Five Hundred Dollars (\$500) or an amount equal to the purchase price of the product that caused the damage or that is the subject of or is directly related to the cause of action. This limitation of liability will not apply to claims for personal injury or damage to real property or tangible personal property allegedly caused by Peavey's negligence. For information on service under this warranty, call a Peavey customer service representative at (601) 483-5376.



Features and specifications subject to change without notice.

A Division of **Peavey Electronics Corporation**

711 A Street, P. O. Box 2898, Meridian, MS 39302-2898 / (601) 483-5376 / Telex: 504115 / Fax: (601) 484-4278

©1991

#80301496

Printed in U.S.A. 11/91